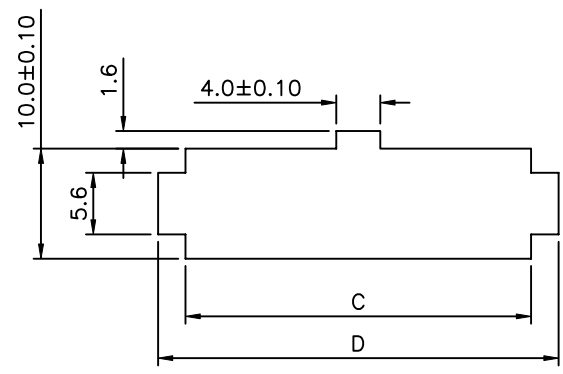
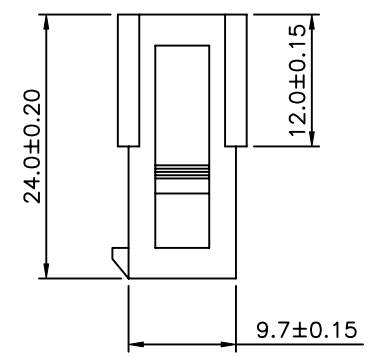
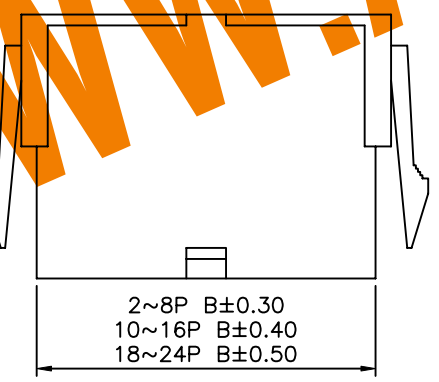
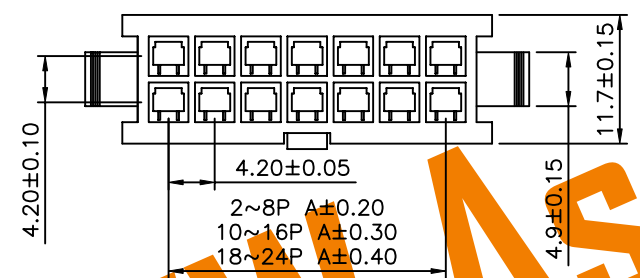


**SPECIFICATION**

Current Rating:7A AC/DC  
 Voltage Rating:250V AC/DC  
 Withstand Voltage:1500V AC/Minute  
 Insulation Resistance:1000 Megaohms Min.  
 Temperature Range:-25°C~+120°C  
 Insulator:PA66(UL94V-2)  
 RoHS Compliant



Panel Hole Dimensions



Circuits	A	B	C	D
2		5.6	6.2	11.2
4	4.20	9.8	10.4	15.4
6	8.40	14.0	14.6	19.6
8	12.60	18.2	18.8	23.8
10	16.80	22.4	23.0	28.0
12	21.00	26.6	27.2	32.2
14	25.20	30.8	31.4	36.4
16	29.40	35.0	35.6	40.6
18	33.60	39.2	39.8	44.8
20	37.80	43.4	44.0	49.0
22	42.00	47.6	48.2	53.2
24	46.20	51.8	52.4	57.4

**AsA** *Electronic*  
 WWW.AsA-Elec.com  
 AsA Electronic Co.  
 Tel : (+98) 21 66 73 56 82 Mob : (+98) 912 03 161 02

DRAWING No.  
 02236

APPROVED BY MEI  
 CHECKED BY HZF  
 DRAWING BY LXX

UNLESS OTHERWISE SPECIFIED TOLERANCES ARE  
 X ±0.5  
 .X ±0.25  
 .XX ±0.2  
 .XXX ±0.08

SCALE NONE

REV. B0

UNIT mm

NO.	REV.	REVISIONS	CHK	DATE

BO NEW RELEASE HZF 12/01/2009